

**DUC** *Helices*



ISO 9001:2008 Certified Company  
for its Quality System Management

[www.duc-helices.com](http://www.duc-helices.com) – [contact@duc-helices.com](mailto:contact@duc-helices.com)

New propeller

# FLASHBLACK

In-Flight Adjustable propeller



**DUC** *Helices*



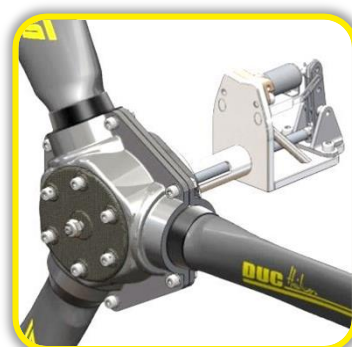
# FLASHBLACK

## in-Flight Adjustable propeller



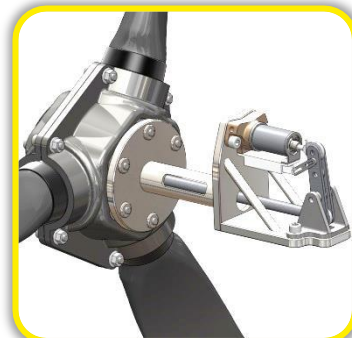
### >>> Description

In-flight adjustable propeller with carbon/titanium blade and carbon hub  
**Propeller weight extremely low; Titanium bolts**  
 Management of the pitch by "Constant speed" box & Visual indicator in flight  
 Wide range of pitch variation & Safety stops small/large pitch  
 Optimized performance for all phases of flight  
 Hydraulic power with manual or electric control  
 Low consumption & noise reduction  
 Innovative high-precision manufacturing



### >>> Characteristics

- Tractor; 2-blade or 3-blade
- Weight: 5.69kg in 2-blade & 6.94 in 3-blade
- Pitch angle adjustable, amplitude max. : 23°
- Compatible with hollow shaft engine (Rotax 912S, 912iS, 914)
- Diameters Ø1520 to Ø1900mm (Ø60" to Ø75")
- Shielding leading edge in Inconel®



### >>> Version

**BASE:** 2-blade/3-blade FLASHBLACK propeller  
included Pitch indicator & Hydraulic setting wheel

5834/6968€HT

**LEVER:** Hydraulic setting lever

+309 €HT

**ELECTRIC:** Hydraulic pump & Control switch

+349 €HT

**CONSTANT SPEED:** Hydraulic pump & Constant Speed box

+949 €HT

